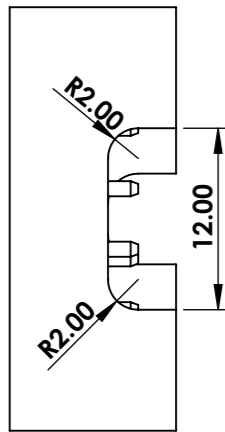
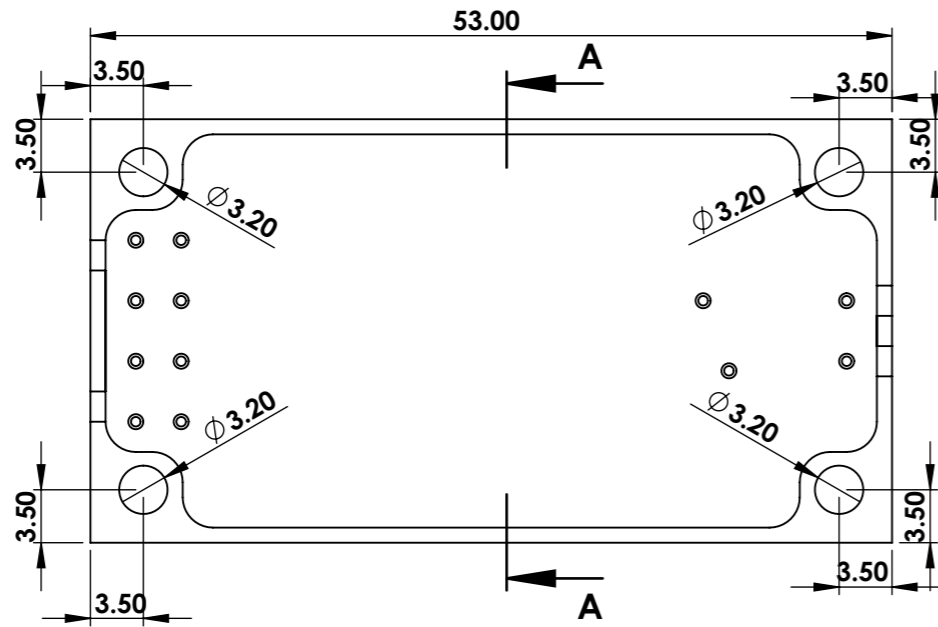


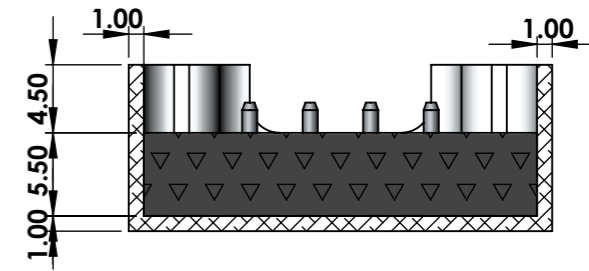
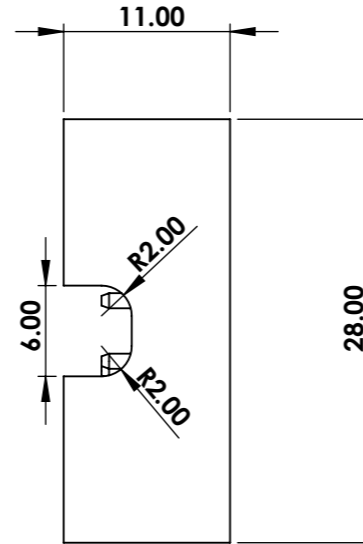
End View



Top View

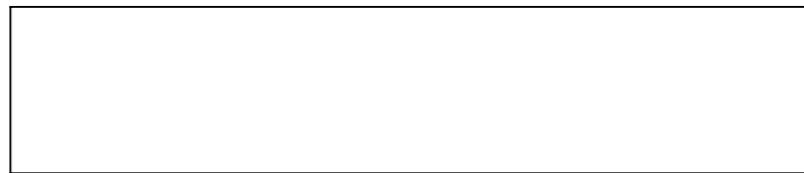


End View

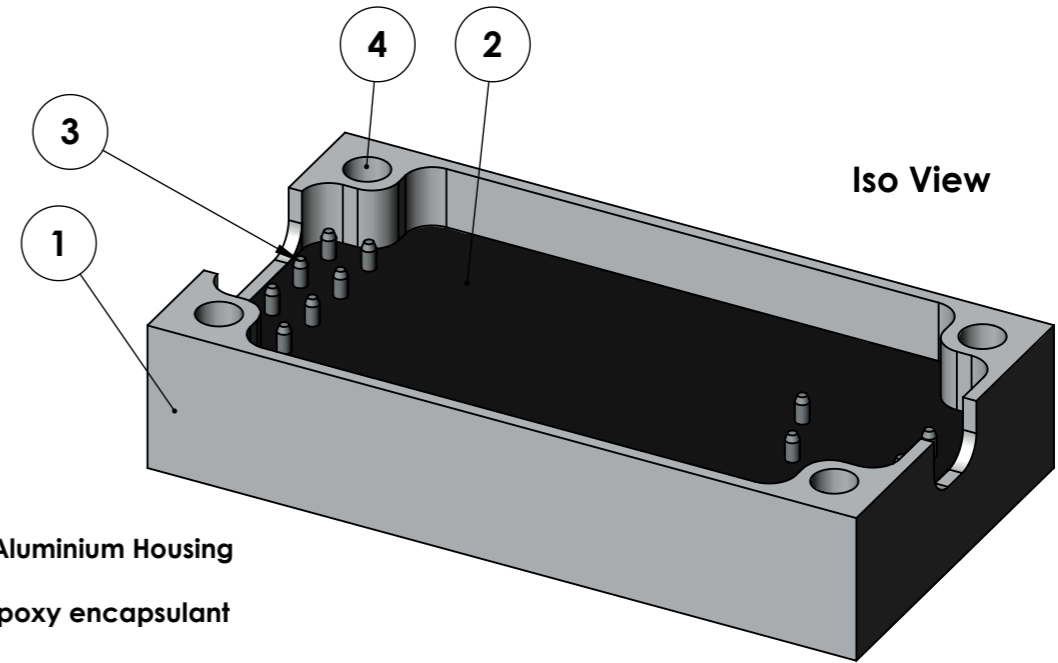
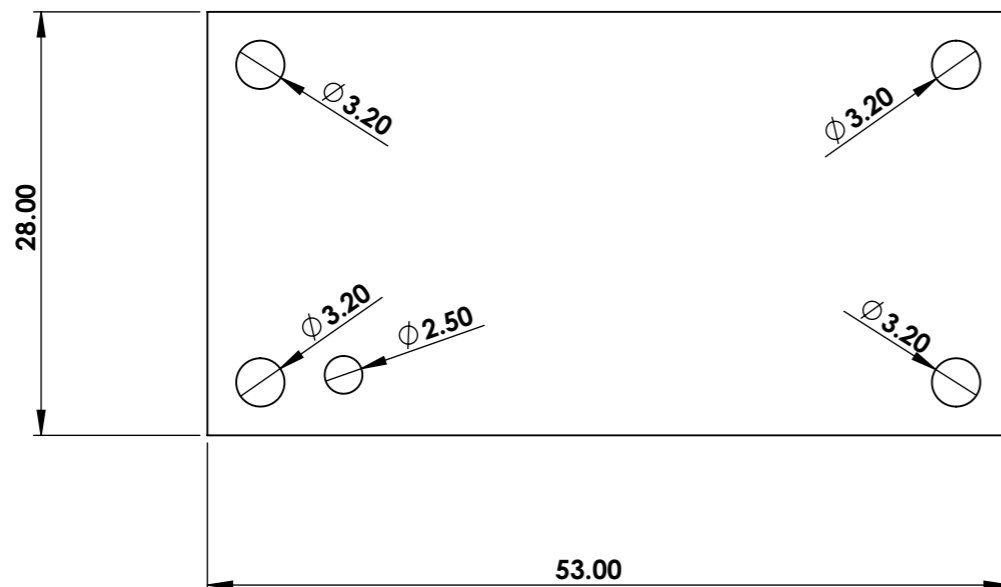


SECTION A-A
Cross Section

Side View



Bottom View



Iso View

- 1 Aluminium Housing
- 2 Epoxy encapsulant
- 3 Signal Pins x 12
- 4 Mounting holes

UNLESS OTHERWISE SPECIFIED: DIMENSIONS ARE IN MILLIMETERS		FINISH:		DEBUR AND BREAK SHARP EDGES		DO NOT SCALE DRAWING		REVISION 1					
SURFACE FINISH:						Astech Electronics Ltd							
TOLERANCES:													
LINEAR:						TX34D 4CH Transmitter							
ANGULAR:													
DRAWN		NAME		SIGNATURE						DATE		TITLE:	
CHK'D		SAB								06/11/2020			
APPV'D													
MFG													
PROPRIETARY AND CONFIDENTIAL				MATERIAL:		DWG NO.		A3					
THE INFORMATION CONTAINED IN THIS DRAWING IS THE SOLE PROPERTY OF ASTECH ELECTRONICS LTD. ANY REPRODUCTION IN PART OR AS A WHOLE WITHOUT WRITTEN PERMISSION IS PROHIBITED				Aluminium, Epoxy Resin		TX34D/4CH/061120							
				WEIGHT:		SCALE:2:1		SHEET 1 OF 1					